



ADTECH

95 Mt. Read Blvd # 149
 Rochester, New York 14611 USA
 Phone: 1.585.698.1845
 Fax: 1.585.697.0445

www.adtech-inst.com

ANALOG MULTIPLIER / DIVIDER MODULE MODEL NO. MDB-52

THE ADTECH MODEL MDB 52 ANALOG MULTIPLIER/DIVIDER MODULE ACCEPTS UP TO THREE PROCESS SIGNAL INPUTS AND PERFORMS ONE OF THE FOLLOWING COMPUTATIONS: MULTIPLY/DIVIDE, MULTIPLY, DIVIDE, SQUARE ROOT, AND THE SQUARE ROOT OF RATIO OR PRODUCT. (REFER TO THE "BASIC EQUATIONS" SECTION AT THE RIGHT.)

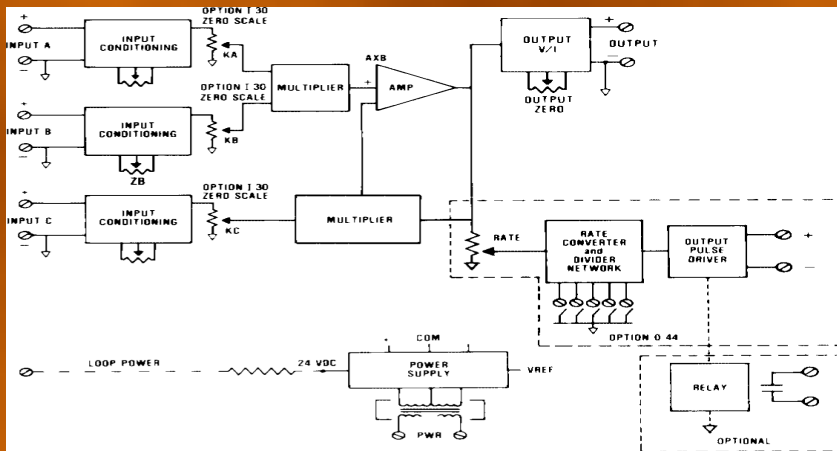
AN EXCLUSIVE OUTPUT OPTION (O 44) PROVIDES A PULSE RATE OUTPUT ALONG WITH THE STANDARD ANALOG OUTPUT. THIS ELIMINATES THE NEED FOR A SEPARATE LINEAR INTEGRATOR, LIT 56, IF THE OUTPUT IS TO BE TOTALIZED.

DIGITAL AND ANALOG TECHNIQUES ARE UTILIZED FOR ACHIEVING VERY HIGH ACCURACY AND TEMPERATURE STABILITY.

THE MDB 52 PROVIDES STANDARD PROCESS CURRENT OR VOLTAGE SIGNALS ON THE OUTPUT WITH A MAXIMUM OF 10 mV P/P OUTPUT RIPPLE.

RECALIBRATION TO OTHER DESIRED RANGES IS ACCOMPLISHED EASILY. TEMPERATURE-STABLE, LOW-NOISE COMPONENTS PROVIDE EXCELLENT STABILITY AND NOISE IMMUNITY.

THE MDB 52 EMPLOYS THE LATEST DESIGN AND COMPONENTS, AND UTILIZES PROVEN TECHNIQUES FOR SUPERIOR RELIABILITY, ACCURACY, AND SERVICEABILITY.



TYPICAL APPLICATIONS

- RADIO CONTROL
- TEMPERATURE / PRESSURE COMPENSATION OF FLOW
- MASS FLOW COMPUTATION: SEE MODEL MFM 32
- EQUATION COMPUTATION
- B.T.U. COMPUTATION

Basic Equations:

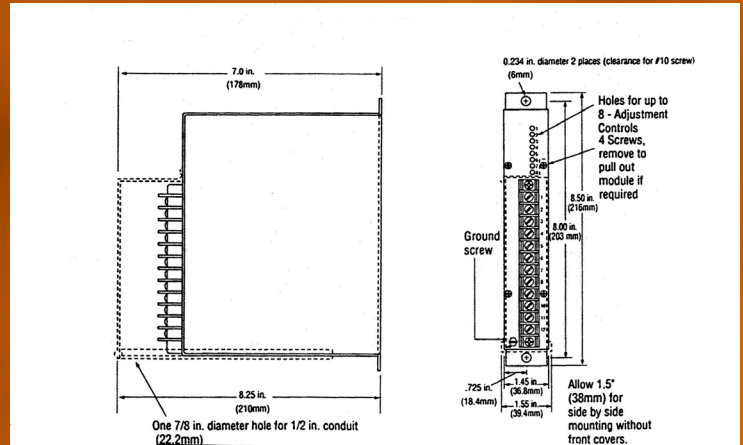
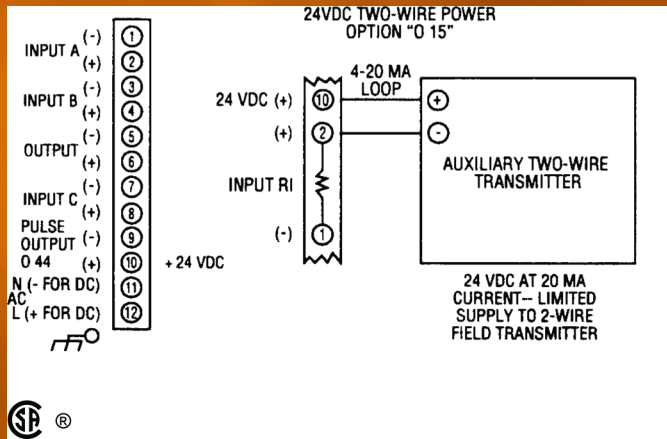
- | | |
|------------------------|------------------------------|
| 1) $D=K \frac{AB}{C}$ | 7) $D=K\sqrt{\frac{A}{B}}$ |
| 2) $D=KAB$ | 8) $D=K \frac{A}{C}$ |
| 3) $D=K \frac{A^2}{C}$ | 9) $D=K ABC$ |
| 4) $D=KA^2$ | 10) $D=K \frac{A}{B^2}$ |
| 5) $D=K\sqrt{AB}$ | 11) $D=K C\sqrt{A}$ |
| 6) $D=K\sqrt{A}$ | 12) $D=K \frac{A}{\sqrt{B}}$ |

FEATURES

- COMPUTATIONS: MULTIPLY/DIVIDE, MULTIPLY, DIVIDE, SQUARE ROOT, SQUARE ROOT OF RATIO, OR PRODUCT
- DC CURRENT INPUTS / DC VOLTAGE INPUTS
- HIGH INPUT IMPEDANCE: 10 MEGOHMS MINIMUM
- DC PROCESS SIGNAL OUTPUTS: CURRENT AND VOLTAGE
- REPEATABILITY: $\pm 0.02\%$ OF SPAN TYPICAL
- HIGH ACCURACY: $\pm 0.1\%$ OF SPAN
- SPAN ADJUSTMENT: 0-100% ALL INPUTS
- ZERO SUPPRESSION: 0-100% TWO INPUTS--OPTIONAL



CONNECTIONS / DIMENSIONS



INPUT/OUTPUT

INPUT SIGNALS	OUTPUT SIGNALS / OUTPUT DRIVE (RL)		
	SIGNAL	AC POWER(RL)	DC POWER(RL)
4-20 mA DC (Z IN 250 OHMS)	4-20 mA DC	0-1,000 OHMS MAX.	0-900 OHMS MAX.
10-50 mA DC (Z IN 100 OHMS)	10-50 mA DC	0-400 OHMS MAX.	0-350 OHMS MAX.
0-1 mA DC (Z IN 5K OHMS)	0-1 mA DC	0-20,000 OHMS MAX.	0-18,000 OHMS MAX.
0-10 mA DC (Z IN 500 OHMS)	1-5 VDC	100K OHMS MIN.	100K OHMS MIN.
1-5 VDC (Z IN 10 MEGOHMS)	0-10 VDC	200K OHMS MIN.	200K OHMS MIN.
0-5 VDC (Z IN 10 MEGOHMS)			
0-10 VDC (Z IN 1 MEGOHM)			

OTHER ZERO-BASED CURRENT AND VOLTAGES ARE AVAILABLE.
NOTE: INPUT C RANGE LIMITED TO 10%-100% FOR DIVISION.

PERFORMANCE

CALIBRATED ACCURACY: $\pm 0.1\%$ REFERRED TO INPUT	LOAD EFFECT: $\pm 0.01\%$ ZERO TO FULL LOAD
LINEARITY: $\pm 0.1\%$ FOR MULTIPLYING EQUATIONS	OUTPUT RIPPLE: 10 mV P/P MAXIMUM
$\pm 0.1\%$ X RATIO $\frac{1}{\text{DEMON.}}$ MAX. FOR DIVIDING EQUATIONS	RESPONSE TIME: 150 MILLISECONDS
REPEATABILITY: $\pm 0.1\%$ MAXIMUM	TEMPERATURE RANGE: 0° TO 140°F (-18° TO 60°C)
TEMPERATURE STABILITY: $\pm 0.01\%$ / °F MAX.	OPERATING: -40° TO 185°F (-40° TO 85°C) STORAGE
$\pm 0.004\%$ / °F TYPICAL	POWER SUPPLY EFFECT: $\pm 0.05\%$ FOR A $\pm 10\%$ POWER VARIATION

POWER

115 VAC: 50/60 HZ. 0.7 PF	(STANDARD)	48 VDC: ISOLATED	(OPTION P3)
12 VDC: ISOLATED	(OPTION P8)	125 VDC: ISOLATED	(OPTION P4)
24 VDC: NON-ISOLATED	(OPTION P1)	230 VAC: 50/60 HZ. 0.7 PF	(OPTION P5)
24 VDC: ISOLATED	(OPTION P2)		

NOTE: ALL UNITS 3 WATTS MAXIMUM, WITH A $\pm 10\%$ POWER VARIATION UNLESS NOTED.

MECHANICAL

ELECTRICAL CLASSIFICATION: GENERAL PURPOSE
 CONNECTION: BARRIER TERMINAL STRIP (3/8" SPACING, NO.6 SCREWS)
 CONTROLS: MULTITURN OUTPUT ZERO, KA, KB, KC, ZA, ZB, AND ZC CONTROLS AND OPTIONAL RATE CONTROL
 MOUNTING: SURFACE MOUNTING STANDARD, SEE HOUSINGS SECTION FOR OPTIONS.
 WEIGHT: NET UNIT: 2.6 POUNDS (1.18 KILOGRAMS); SHIPPING: 3.0 POUNDS (1.36 KILOGRAMS)

OPTIONS

OPTION NUMBER	DESCRIPTION
I 14	VOLTAGE INPUTS TO 200 VDC, 1 MEGOHM MIN. IMPEDANCE; CURRENT INPUTS OF 100 MA MAX.
I 18	LOW IMPEDANCE DC CURRENT INPUTS (1/10 OF STANDARD Z)
I 30	ZERO SUPPRESSION/ ELEVATION
O 10	BIPOLAR CURRENT (LARGER THAN ± 1 MA)
O 11	BIPOLAR VOLTAGE TO ± 10 VDC; AT 1 MA, BIPOLAR CURRENT ± 1 MA
O 15	TWO-WIRE TRANSMITTER EXCITATION
O 21	VOLTAGE PULSE-SPECIFY VOLTAGE (WITH OPTION O 44)
O 44	PULSE OUTPUT
O 59	10-1,000 CPS OUTPUT (WITH OPTION O 44)
H 10	THIN-LINE CONDUIT MOUNTING PLATE AND TERMINAL COVER
H 13B, H 14B, H 15B	NEMA 4.7, AND 12 ENCLOSURES
H 16	PFA 12 HIGH-DENSITY, PLUG-IN ENCLOSURE

Ordering Information

- Model number
- Input signals
- Equation
- Output signal
- Prime power with option no.
- Input/output options
- Housing and miscellaneous options

Please refer to the Housing and/or Option Section for more specific and detailed information.